

USER MANUAL

Monterey Care Beds

Single & King Single Bed Options



CONTENT

| | Page |
|---|----------------|
| 1. INTRODUCTION | 2 |
| 2. WARNINGS & CAUTIONS | 3 - 4 |
| 3. ELECTRONIC FUNCTIONS | 5 - 7 |
| 3.1 Handset Button Operation | 5 - 6 |
| 3.2 Battery Back-up (if fitted) | 7 |
| 4. GENERAL BED OPERATION | 8 – 12 |
| 4.1 Castor System | 8 |
| 4.2 Bed Extension | 9 |
| 4.3 Side Rails (if fitted) | 10 |
| 4.3.1 Fitting the Side Rails | 10 |
| 4.3.2 Side Rail Operation | 11 |
| 4.3.3 Side Rail Safety Lock Indicator | 12 |
| 5. MONTEREY BED SPECIFICATIONS | 13 |
| 6. MONTEREY KING SINGLE BED SPECIFICATIONS | 14 |
| 7. CLEANING | 15 |
| 8. MAINTENANCE | 16 – 17 |
| 9. TRANSPORTATION AND STORAGE | 17 |
| 10. BED ACCESSORIES | 18 |
| 11. WARRANTY AND SERVICE | 18 |

1. INTRODUCTION

The Monterey bed is an electrically actuated care bed which has a range of functions and positional movements that assist caregivers and provide for patient comfort. Ease of use, functionality, serviceability and cleaning practicality are key features of the bed. The bed has a fabricated steel structure with a powder coated finish. The plastic components are made from urethane, PP, POM, nylon and ABS plastic.

Clinical Applications and Area of Use

The bed is appropriate for adult patient care under supervised medical monitoring and provides support with various positioning options.

Key Features

- Total safe working load (SWL) of the bed 250Kg.
- 75mm twin Tente castors (four kick-stop braking castors and four free-wheeling).
- Electrically adjusted height range. The bed works within a height range of 160mm low height to a maximum high height of 690mm.
- Trendelenberg head and foot down tilt 14°.
- Four sectioned electrically operated mattress platform with independent adjustment of backrest angle (maximum 70°) and knee section angle (maximum 35°).
- Four soft contoured mattress retainer handles.
- Integral foot end mattress base extension. Extends the bed by 195mm.
- (Optional) clamp/bolt on $\frac{3}{4}$ length folding side rails.
- Fixed timber head and foot panels (full timber surround optional).

2. WARNINGS & CAUTIONS

It is **important** that this User Manual be read in its entirety prior to the operation of the bed. The manual is designed to ensure that users are equipped with the information required to competently and responsibly operate the bed and its accessories.

It is recommended that the User Manual be kept in an easily assessable place for quick reference. If required Hospequip product specialists can provide additional training.

All warnings and cautions within this manual should be strictly adhered to. Failure to do so could result in harm to the patient, or operator.

Warnings highlighted throughout this manual identify possible hazards in procedures, or conditions, which if not followed correctly could result in serious injury, or fatality.

Cautions highlighted throughout this manual identify possible hazards in procedures, or conditions, which if not followed correctly could result in equipment damage, or failure.

GENERAL WARNINGS

- Electrical equipment can be hazardous if used incorrectly.
- Do not use electrically operated beds in the presence of flammable gases.
- Use the bed to support one patient only. The Monterey bed is intended for one person use only and may become unstable if used incorrectly.
- It is recommended that the bed be positioned at its lowest height when unattended by caregivers to minimise the risk of patient injury from falls when getting in and out of the bed.
- Residual current devices (RCD) are not supplied with the Monterey bed. Consult with your Biomedical Engineer/advisor concerning RCD requirements.
- The safe working load of the Monterey bed is 250Kg. This includes the mass of the patient, mattress and any accessories fitted to the bed.
- Ensure the power cord is free of possible damage from the beds castors and mechanical functions when the bed is in use. Store the cable safely when not in use.
- Do not use accessories that are not designed, or approved for use with the Monterey bed.

2. WARNINGS & CAUTIONS - Continued

GENERAL SAFETY WARNINGS

- Always use a mattress of the correct size and type. A range of suitable pressure reducing and pressure relieving mattresses are available from Hospequip.
- Before operating the bed make sure that the patient is safely positioned to avoid entrapment.
- Before transporting the bed make sure that the bed is at a suitable height to move without stooping, or straining.
- Always apply the brakes when the bed is stationary.
- If a patient's condition could lead to a possible entrapment the mattress support platform should be left in the flat position, whilst unattended.
- The clinically qualified person responsible should consider the age, size and condition of the patient before using the bed and its accessories.
- Always ensure that all medication lines/tubes and power cables are free from possible entanglement with mechanical parts of the bed.
- Always ensure that attendant and patient limbs are free from potential entrapment areas before operating any functions.
- Side rails must only be used with a mattress of the correct size as defined for the Monterey bed.
- Maximum mattress thickness that can be used on the Monterey bed is 170mm, the minimum mattress thickness is 100mm.
- To avoid accidental operation of the beds functions always store the beds handset correctly when not in use. The handset can be stored by hooking it on to the side rail of the bed, or behind the head board.

3. ELECTRONIC FUNCTIONS

WARNING

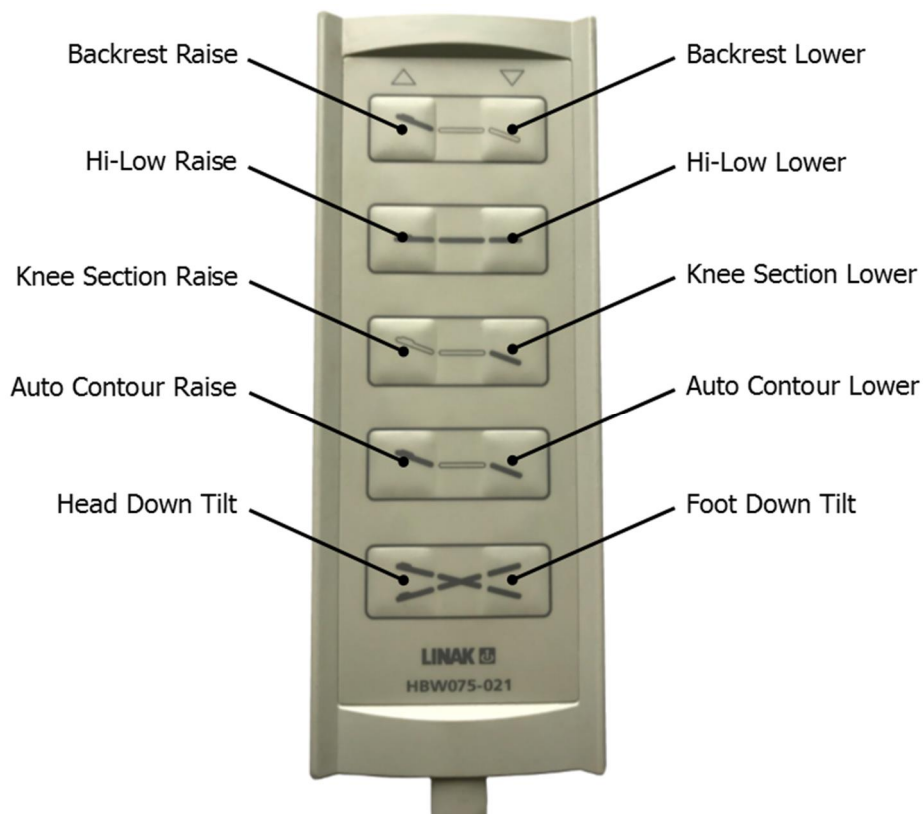
- Ensure that the patient, caregivers and, or other equipment is not positioned to become either trapped, or crushed during bed adjustment.
- Ensure that the handset and electrical supply cables cannot become entangled with moving parts of the bed.

CAUTION

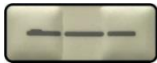
- Do not operate the beds controls for more than the electronic systems prescribed duty cycle. (see pages 12 and 13)

3.1 Handset Button Operation

The Monterey's bed adjustments are powered by four electric actuators, which are controlled by the buttons on the handset. Adjustment occurs only while a button is pressed. Adjustment will stop when the button is released, or the movement selection reaches the end of its range of adjustment.



3. ELECTRONIC FUNCTIONS – Continued



Mattress Platform Height Adjustment

To move the mattress platform up, or down, press and hold the appropriate button on the handset. The beds platform height can be adjusted through a range of 160mm low height to a high height of 690mm.

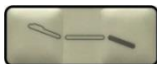


Backrest Adjustment

To move the backrest up or down, press and hold the appropriate button on the handset. The backrest can be adjusted through a range of between 0° and 70°.

WARNING

Care should be taken whilst operating the backrest function to ensure hands and fingers are away from potential squeeze hazards.



Knee Positioning Adjustment

To move the knee positioning section up and down, press and hold the appropriate button on the handset. The knee section is adjustable through a range of 0° to 35°, providing adjustable support to the patient's legs.



Auto Contour Positioning Adjustment

Auto Contour Positioning provides synchronised movement of the backrest and knee positioning in one operation. The position helps provide a more natural resting environment for the patient.



Tilt Positioning - Trendelenburg/Reverse Trendelenburg

The tilt button allows the bed to be positioned in a foot, or head down tilt position. Tilt positioning achievable is between 0° and 14° for both head and foot down tilting.

CAUTION

The Trendelenburg function should only be used under professional supervision.

- When using the tilt function the mattress platform may initially rise before tilting. The bed will automatically adjust to ensure there is sufficient clearance between the mattress platform and the mechanical structure of the bed before tilting.
- When reversing the tilt angle of the bed with the tilt button remaining depressed the mattress platform will pause at horizontal for two seconds before continuing with the tilting movement.

3. ELECTRONIC FUNCTIONS – Continued

3.2 Battery Back-Up (Optional)

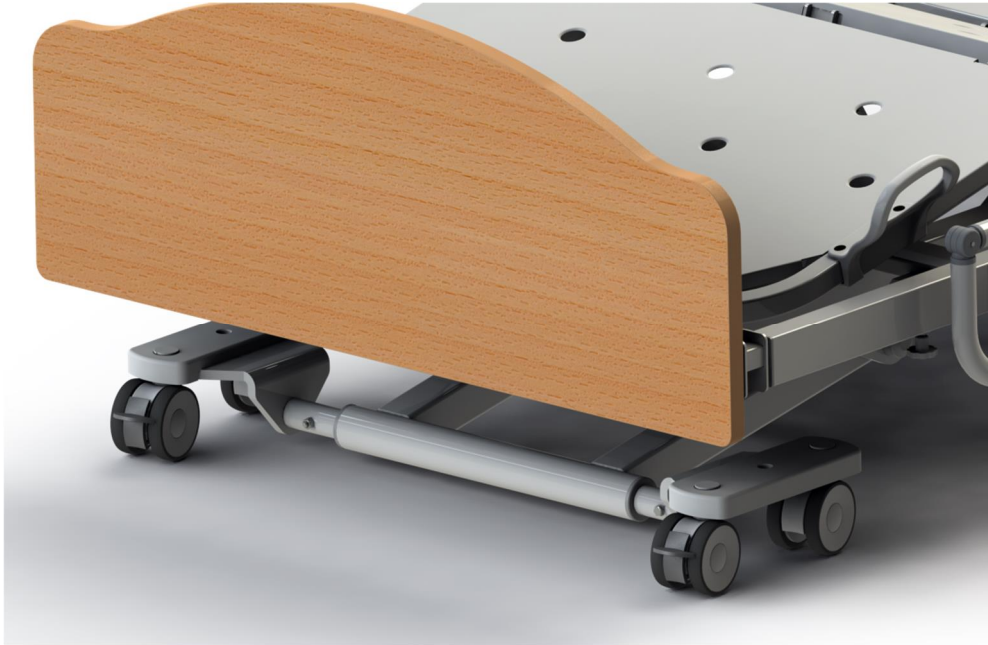
If fitted with a battery back-up unit (located underneath the backrest of the bed) the bed will automatically switch to battery power in the event of a power failure, or the bed being unplugged from mains power. The period of use on battery is dependent on many variables. Weight of the user, range of movement used and age of the battery. In good condition, the battery would allow for a minimum of ten to fifteen full lift cycles.



4. GENERAL BED OPERATION

4.1 Castor System

The Monterey bed uses eight Tente 75mm castors for easy manoeuvrability (four braking castors and four free-wheeling castors).



Operating the Brakes

- To set the braking castors simply push down on the grey lever using the toe of the shoe. Always brake all four castors when the bed is stationary.
- To release the braking castors, reverse the action by pulling up the grey lever using the toe of the shoe.

CAUTION

- Disconnect the bed power cord before moving the bed.
- Do not remove the power cord from the power source by pulling on the cord.
- Do not use the beds side rails to manoeuvre the bed.
- Do not pull on the power cord, or handset cord to manoeuvre the bed.
- Always apply the brakes when the bed is in a stationary position.

4. GENERAL BED OPERATION – Continued

4.2 Bed Extension

The integral bed extension is easily extended to add an extra 195mm of length to the mattress platform.

Extending the Bed Extension from the Closed Position

1. The bed extension is locked in the closed and fully open positions by two threaded hand wheels located towards the foot end of the bed. To extend the bed, unscrew the handwheels (both sides of the bed) anti clockwise until approximately 20mm of thread is showing. Pull the foot panel towards you using two hands evenly spaced on the panel. Pull the panel to its full extension and then screw the threaded handwheel back to a closed position.
2. The same procedure in reverse is used to close the extension back to the standard bed position.

Always ensure that the panel is locked correctly before use of the bed.



Hand Wheel Release
Both Sides of the bed

Warning

The bed extension is designed for use as a bed extension only and is not meant to be sat on. The extra length of the bed with extra load can also make the bed unstable, potentially resulting in injury to the user and patient.

4. GENERAL BED OPERATION – Continued

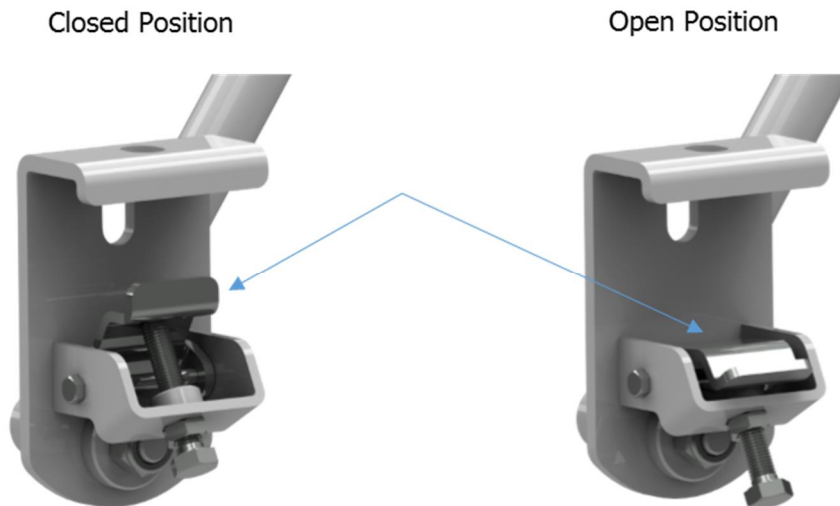
4.3 Fold Down Side Rails (Optional)

The (optional) bed rails are easily fitted by clamping to the side rail of the bed. Medical equipment international standard IEC 60601-2-52, which includes specific rail requirements are complex and strict. The Monterey bed rails meet these requirements when fitted correctly.

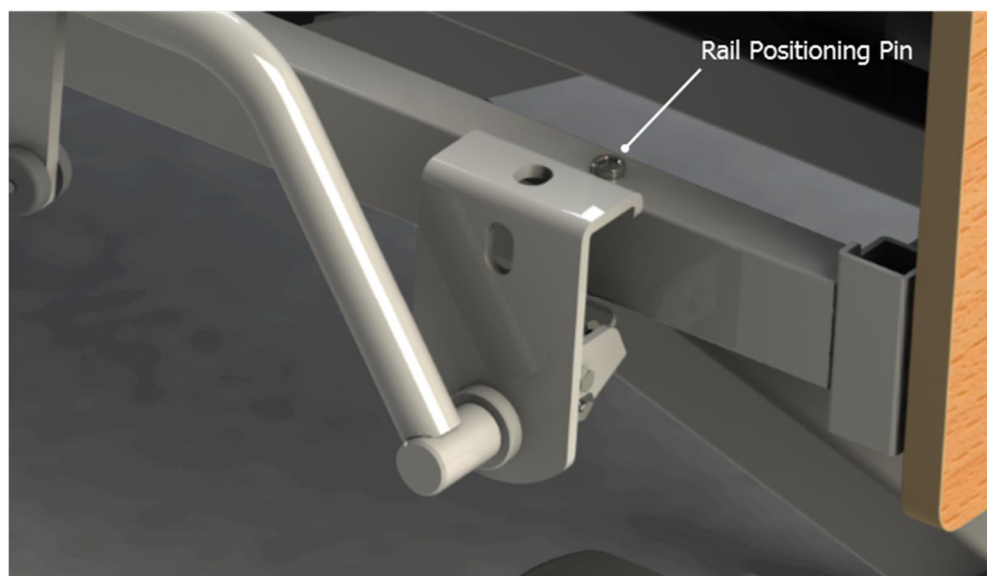
4.3.1 Fitting the Side Rails

NOTE* The rails are a left and right-hand set and when fitted correctly fold down towards the foot end of the bed.

1. Before fitting the rails unscrew the M10 bolts on both clamp brackets bringing the locking clamps into an open neutral position.



2. With both bolts now unscrewed, lift the rail into position. It is important that the rails are fitted to a specific position on the bed, which is indicated by the disc on the top of the side rail. Position the rail over the disc and tighten the bolts to the closed position.



4. GENERAL BED OPERATION – Continued

4.3.2 Side Rail Operation

The rails are either fully raised, or folded down closed. When the side rail is raised to its full height position it will automatically lock in the positioning hole on the rails clamp plate. The release/lock knob feature can be both visually and audibly confirmed.

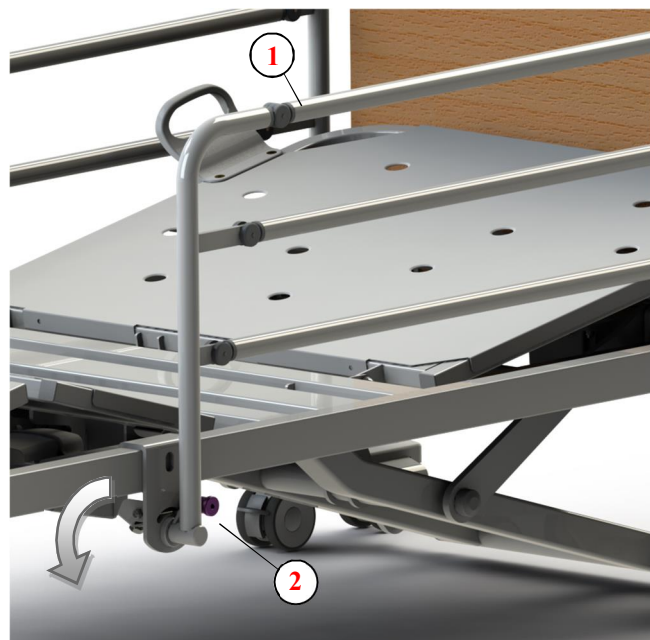
WARNING

Do not operate side rails when there is potential of entrapment, or crushing to the patient, caregivers, visitors and/or other equipment.

Side Rail Operation

To raise the side: Lift the top rail until the magenta locating pin/knob automatically clicks into its locked position at maximum height.

To lower the side: Hold the top rail near the foot end of the bed **(1)** and gently pull out the magenta coloured operating knob **(2)** lowering the side towards the foot of the bed, whilst controlling the descent speed. As the side begins to be lowered the operating knob can be released.



WARNING

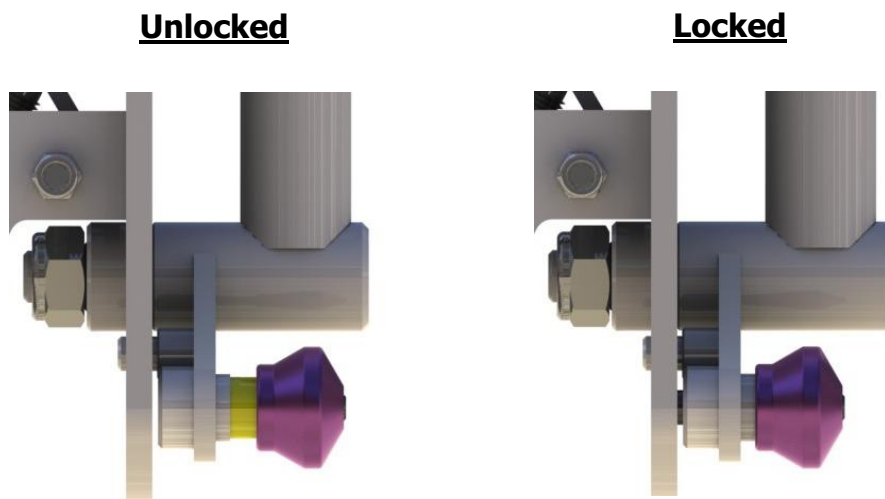
- Care should be taken whilst operating the side rails to ensure hands and fingers are kept away from potential squeeze hazards.
- Side rails should only be used after clinical assessment and within organisational policy and guidelines.

4. GENERAL BED OPERATION – Continued

4.3.3 Side Rail Safety Lock Indicator

The side rail locating pin has a yellow coating that allows for visual inspection of the locking device. When the side rail is in the raised position, viewing the release knob from the side there should be no yellow shaft visible. If there is yellow shaft visible the safety side is **NOT** securely locked in the upright position and needs to be adjusted.

The yellow coating should **NOT** be visible from above when the safety side is correctly locked in position.



Side rail release and lock knob shown in unlocked and locked positions

WARNING

- After adjustment of the side rail visually check the locking pin location. There should be no yellow shaft on the locking pin visible if locked correctly.
- **DO NOT** use other manufacturer's side rails on the Monterey bed.

5. MONTEREY SINGLE BED SPECIFICATIONS

Basic Dimensions

| | |
|--|------------------|
| Overall Length | 211.5cm |
| Overall Length (base extension extended) | 231.0cm |
| Overall Width | 92.0cm |
| Overall Width (rails fitted) | 102.5cm |
| Mattress Surface Length (between panels) | 207.0cm |
| Bed Platform Height Range | 16.0cm to 69.0cm |
| Back Rest Angle Adjustment | 0° to 70° |
| Knee Bend Angle Adjustment | 0° to 35° |
| Trendelenberg Tilt Adjustment (head and foot down) | 0° to 14° |

Mattress Size

| | |
|---------------------------|------------------|
| Recommended Mattress Size | Width = 86.0cm |
| | Length = 198.0cm |
| Maximum Mattress Depth | 17.0cm |
| Minimum Mattress Depth | 10.0cm |

Bed Weight & Safe Working Load

| | |
|---------------------------------|------------------------|
| Without Side Rails | 119 Kg (approximately) |
| With Side Rails | 138 Kg (approximately) |
| S.W.L Safety Factor = 2 x S.W.L | 250Kg |

Electric parameter

| | |
|--------------------|--|
| Power Input | 100-240V AC 50/60Hz, Max current 2.5A |
| Rate Load | interruption 10%, Max 2 minutes / 18 minutes |
| Leakage Protection | Class 1 Type B ⚡ |
| Waterproof Grade | IP54 |

Standard

Monterey beds are designed and manufactured in compliance with International Standard IEC 60601-2-52.

6. MONTEREY KING SINGLE BED SPECIFICATIONS

Basic Dimensions

| | |
|--|------------------|
| Overall Length | 211.5cm |
| Overall Length (base extension extended) | 231.0cm |
| Overall Width | 109.0cm |
| Overall Width (rails fitted) | 120.0cm |
| Mattress Surface Length (between panels) | 202.5cm |
| Bed Platform Height Range | 16.0cm to 69.0cm |
| Back Rest Angle Adjustment | 0° to 70° |
| Knee Bend Angle Adjustment | 0° to 35° |
| Trendelenberg Tilt Adjustment (head and foot down) | 0° to 14° |

Mattress Size

| | |
|---------------------------|------------------|
| Recommended Mattress Size | Width = 106.0cm |
| | Length = 202.0cm |
| Maximum Mattress Depth | 17.0cm |
| Minimum Mattress Depth | 10.0cm |

Bed Weight & Safe Working Load

| | |
|---------------------------------|------------------------|
| Without Side Rails | 125 Kg (approximately) |
| With Side Rails | 144 Kg (approximately) |
| S.W.L Safety Factor = 2 x S.W.L | 250Kg |

Electric parameter

| | |
|--------------------|--|
| Power Input | 100-240V AC 50/60Hz, Max current 2.5A |
| Rate Load | interruption 10%, Max 2 minutes / 18 minutes |
| Leakage Protection | Class 1 Type B ⚡ |
| Waterproof Grade | IP54 |

Standard

Monterey beds are designed and manufactured in compliance with International Standard IEC 60601-2-52.

7. CLEANING

WARNING

Before cleaning always disconnect the bed from the mains power source.

Note: It is strongly recommended that protective clothing be used when carrying out cleaning processes on the Monterey bed.

Note: The following procedure also applies to the beds accessories, but does not include mattresses.

- Wipe the beds surfaces with a soft cloth moistened with hot water and mild detergent (or the facilities recommended cleaning solution). It is recommended that the cloth be a white material to prevent bleeding of die colours to the bed. Take extra care in areas that can harbour dirt, or dust.
- Rinse with clean water if required and a dry with a clean cloth.
- To remove potentially infectious materials such as body fluids, or when the bed has been used by someone with a known infection. Clean with NaDCC (e.g. Presept, Actichlor) at 10,000 ppm of available chlorine. Rinse and dry.
- Allow the cleaned parts to dry before replacing the mattress.

CAUTION

Do not use abrasive Hypocarbonate, or Phenolic compounds or pads.

8. MAINTENANCE

The following preventative maintenance procedures should be carried out every 12 months.

Note: Other than general maintenance activities all other service, or repair work must be performed by qualified and trained persons who are approved by Hospequip.

WARNING

The bed must be disconnected from the mains power supply before starting any maintenance activity.

| GENERAL | |
|--------------------------------------|---|
| 1 | Examine all the warning signs on the bed, examine the bed for obvious signs of damage. All aspects of the equipment should operate as intended. Check that all nuts, bolts and other fasteners are tight and are not missing. |
| 2 | Examine flexible cables and conduits for cuts, cracks, abrasions, or other deterioration. |
| 3 | Check that the power supply plug is not damaged. If either the power cable, or plug is damaged then both the cable and plug must be replaced as a complete assembly by Hospequip, or an approved service agent. |
| CASTOR BRAKING/LOCKING SYSTEM | |
| 1 | Apply the brakes and push the bed forwards. If any of the four braking castors rotate the brake is not fully effective. |
| SIDE RAILS (if fitted) | |
| 1 | <ul style="list-style-type: none"> • The locking pin mechanism and striker plate arrangement should be checked every three months. • Inspect the side rails for general wear and tear on fittings and pivot joints every six months. • Check for rust, structural integrity of welds and paint finish every twelve months. |
| 2 | Raise the side rail to the upright position until the locking mechanism clicks into place. Check that there is no yellow shaft visible. In the locked position, the yellow on the locking pin shaft should not be visible from above. Refer to the operating procedures on page 12 of this manual for further information. |
| 3 | If the yellow shaft is visible when the side rail is in the raised and locked position, contact Hospequip for service advice. |
| 4 | Check that the rails pivot axles are securely fitted to the bed. The pivot axles are locked into place by the manufacturer using a 10mm lock nut. It is rare that Re-tightening of the axles would be required, but in the case that it is, ensure that the nut is not over tightened during the tightening procedure. |

9. TRANSPORTATION AND STORAGE

Handle With Care.

The Monterey bed should be stored in a clean, dry, well ventilated area.

Do not drop and avoid shock, or violent impact when transporting.

The following limits apply during transport and during a storage period of up to 15 weeks duration:

| | | | |
|---------------------|--------|----|---------|
| Ambient temperature | -25°C | To | +70°C |
| Relative humidity | 10% | To | 75% |
| Air pressure | 50 kPa | To | 106 kPa |

The following limits apply to normal operating conditions and for periods of storage longer than 15 weeks:

| | | | |
|---------------------|--------|----|---------|
| Ambient temperature | +10°C | To | +40°C |
| Relative humidity | 30% | To | 75% |
| Air pressure | 70 kPa | To | 106 kPa |

10. MONTEREY BED ACCESSORIES

There are a range of accessories to suit the Monterey bed available. As well as the below listed equipment, Wentworth Care Furniture specialises in static foam and air pressure mattresses. Please contact Wentworth Care Furniture for details.

Accessories that may be used on the Monterey bed:

| Product code | Description |
|--------------|--|
| FSR-CL | Clamp on 3/4 Length Fold Down Tubular Side Rails |
| SP001 | Self Help Pole Strap & Handle (Powder Coated) |
| V110 | IV Pole (Powder Coated) |
| CTKO2 | "C" Size Oxygen Bottle Holder |

WARNING

Do not use accessories that are not been designed for use with the Monterey bed.

Warranty Statement

This warranty is provided by Wentworth Care Furniture

Australian Consumer Law

Our goods come with guarantees that cannot be excluded under the Australian Consumer Law. You are entitled to a replacement or may be entitled to a refund for a major failure and compensation for any other reasonable foreseeable loss or damage. You are also entitled to have the goods repaired or replaced if the goods fail to be acceptable quality and the failure does not amount to a major failure. Where a failure does not amount to a major failure *Wentworth Care Furniture* is entitled to choose between providing you with a repair, replacement or refund.

To obtain compensation, you would need to provide documentary evidence of the loss or damage suffered and documentary evidence that such loss or damage was a reasonable foreseeable consequence of a failure *Wentworth Care Furniture* to comply with a consumer guarantee under the Australian Consumer Law.

At our option:

- Goods repaired may be replaced by refurbished good of the same type rather than being repaired.
- Refurbished parts may be used to repair goods.

Product Warranty

In addition to all rights and remedies which you may be entitled to under the Competition and Consumer Act 2010 (Commonwealth) and any other relevant legislation, *Wentworth Care Furniture* warrants the CareTek Monterey bed to be free of defects in materials and workmanship for the following time periods, commencing from the date the product is received by the purchaser.

5 years on electrics

10 years on frame

12 months on battery back-up option

Subject to the provisions of the Australian Consumer Law, *Wentworth Care Furniture* excludes, to the fullest extent permitted by law, all liability in respect of loss of profit or other economic loss, direct to indirect or consequential, special, general or other damages or other expenses or costs which may include negligence.

Warranty Claims

To claim under this warranty, please contact Wentworth Care Furniture and have your receipt or proof of purchase available. *Wentworth Care Furniture* may need to access the defect before determining any claim, and additional information may be requested to process your claim.

Any expenses incurred relating to the return of the defective product *Wentworth Care Furniture* will be borne by us. We will then, at our discretion, either repair or replace the product, or refund your money and take back the product. Warranty repairs do not extend the length of the warranty period.

Limited Liabilities

Our liability under this manufacturer's warranty is subject to us being satisfied that a defect was caused by faulty parts, manufacture or workmanship, and was not caused or substantially contributed to by other factors or circumstances beyond our control, including (but not limited to) defective installation, maintenance or repair, product modification or alteration, any neglect, misuse, or excessive use, normal wear and tear or failure to follow manufacturer's instructions.

The benefits conferred by this manufacturer's warranty are in addition to all rights and remedies conveyed by the Competition and Consumer Act 2010 (Cth), and any other statutory rights to which may already be entitled, and this warrant does not exclude, restrict or modify such rights or remedies that are implied by law.

11. WARRANTY & SERVICE

Wentworth Care Furniture standard terms and conditions apply to all sales. A copy of the terms and conditions, which provides the full details of warranty terms and statutory rights of the customer can be obtained upon request.

For service, maintenance and any questions regarding this or any other Wentworth Care Furniture product please contact:-



| | | |
|------------------|---------------------------|------|
| Address | Unit 5/27 Fullarton Drive | |
| City/State | Epping VIC | |
| Country/Postcode | Australia | 3076 |
| Tel | +61 3 9408 9710 | |
| Email | info@wentworthcare.com.au | |
| Website | www.wentworthcare.com.au | |